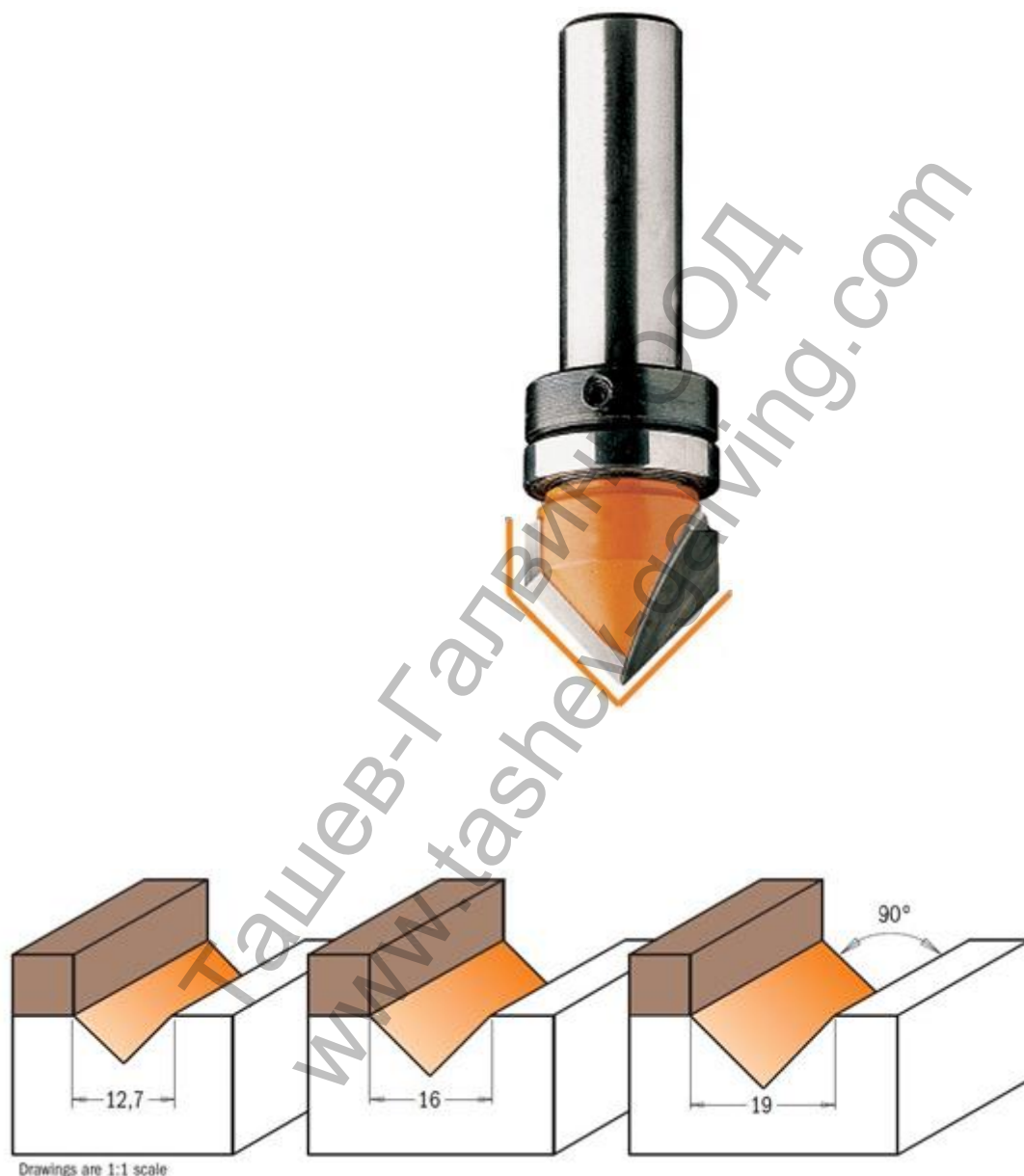


Фрезер СМТ за дърво канален с лагер V-профил ϕ 19x16/55.5
мм, ϕ 6 мм, 90°



Like all CMT bits, they are made of super strength Fatigue Proof® steel with carbide-tipped cutting edges and are coated with our trademark orange PTFE non-stick coating. These bits are ideal for routing signs, or almost any project that is suitable for accurate template routing.

Tips: V-grooving bits can perfectly chamfer 45°. Two tools in one!



Tungsten carbide tipped
Three cutting edges



Two HW cutting edges



Right-hand rotation



Bearing diameter

D mm	I mm	L mm	ORDER NO. S=Ø6mm	ORDER NO. S=Ø6,35mm	ORDER NO. S=Ø8mm	ORDER NO. S=Ø12,7mm
12,7	12,7	44,5		815.127.11B		
16	12,7	52,8			915.160.11B	
19	16	55,5	715.190.11B			
19	16	63,5				815.690.11B

Продукт: [Фрезер CMT за дърво канален с лагер V-профил ф 19x16/55.5 мм, ф 6 мм, 90 °](#)

Категория: [Консумативи за фрези и обертфрези](#)

Бранд: [CMT](#)

Категория бранд: [Фрезер CMT](#)

Ташев-Галвинг ООД
www.tashev-galving.com